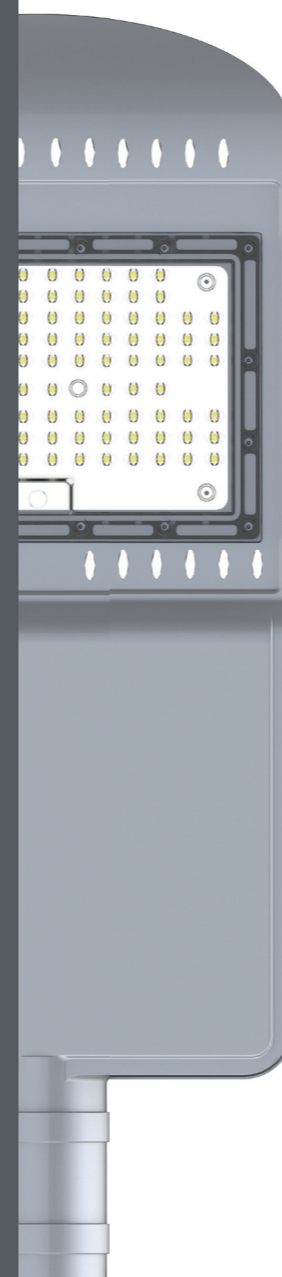


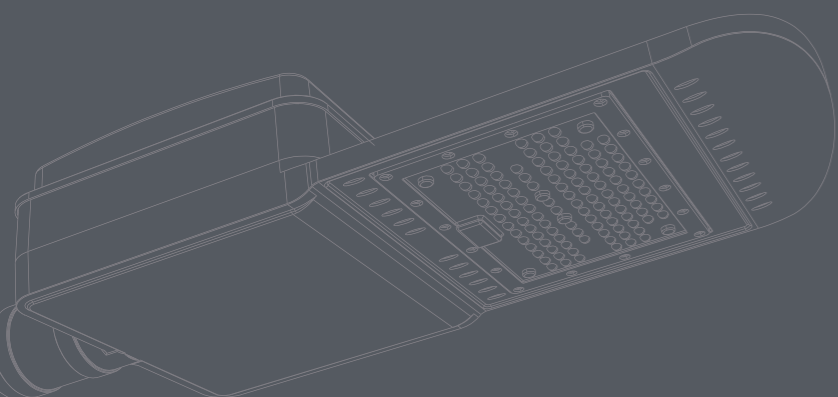
**SOKOYO**<sup>®</sup>

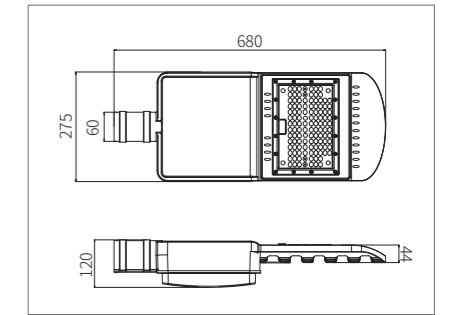
**SOLO SERIES**  
All in Two solar street light

EASY TIME  
ENERGY CONSERVATION  
EFFICIENT HEAT DISSIPATION



China free hot line: 0086-514-8216-6606  
Tel: 0086 514 87914128  
Web: [www.sokoyosolar.com](http://www.sokoyosolar.com)  
Factory address: No.1 Jin Zhuang Road Songqiao Intelligent Lighting  
Industrial Park, YangZhou, Jiangsu, China





### KY-E-BGA DC

### SOLO-A All-in-two solar street light

High Performance Parameters: Imported high efficiency chips, 60% energy saving than traditional street light;  
 Patented Light Source design: Road surface uniformity over 0.7, uniform illuminance, no spot phenomenon;  
 High color rendering: Reduction the color of the object, beautify the city environment;  
 Environment health: No UV, no radiation, more conducive to environment protection and human eye health;  
 Applicable place: Main road, secondary road and branch road, etc.



## SIMPLE STYLE LIGHT WITH FASHION ENERGY CONSERVATION

Simple appearance design, modern style; national standard ADC12 die cast aluminum, good heat dissipation performance, hollow heat sink, enhance air convection, high heat dissipation efficiency; large shell size, abundant reserved battery storage space; high capacity and long life lithium battery to ensure the service life of the light; high optical efficiency module lens, large angle and long distance light distribution, suitable for road lighting in the city, countryside and industrial park.



PERSPECTIVE

FRONT

RIGHT

TOP

Product Model	KY-E-BGA-001	KY-E-BGA-002	KY-E-BGA-003
Rated Power	40W	60W	80W
System Voltage	DC12V		DC24V
Lithium Battery	12.8V/42AH 537.6WH	12.8V/50AH 640WH	25.6V/30AH 768WH
Suggested Solar Panel	Mono-crystalline 120W/18V	Poly-crystalline 150W/18V	Mono-crystalline 180W/36V
Light Source	3030		
Light Distribution	Bat-Wing light distribution (150°x75°)		
Light Efficiency	≥130LM/W		
Color Temperature	3000K/4000K/5000K/5700K/6000K/6500K		
CRI	≥Ra70		
IP Rate	IP65		
IK Rate	IK08		
Working Temperature	0°C~+60°C		
Product Weight	8.7kg	8.3kg	10.5kg
LED Lifespan	>50000H		
Controller	10A	20A	15A
Mount Diameter	φ60mm		
Lamp Dimension	680×275×120mm		
Package Dimension	745×325×180mm (1pc/CTN)		
Suggested Mount Height	5m~6m	6m~8m	8m~10m

## PRODUCT STRUCTURE DISPLAY

### Lithium iron phosphate battery

Cycle life is more than 1500 times, safe to use, no fire and no explosion; High temperature resistance, large capacity, green environmental protection.

### Smart controller

With intelligent control of light on time, overcharge, overdischarge, electric short circuit, overload protection, anti-reverse connection protection and other functions, can adapt to cold, high temperature, humidity and other environments.

### Thermal Design

Hollow radiator, enhance air convection, high heat dissipation efficiency.

### Printed circuit board(PCB)

### High efficiency light bead

### High-pressure cast aluminum lamp body

Adopt ADC12 high pressure die-cast aluminum molding, impact resistance, corrosion resistance, electrostatic spray treatment after shot blast.

### Batwing Light Distribution

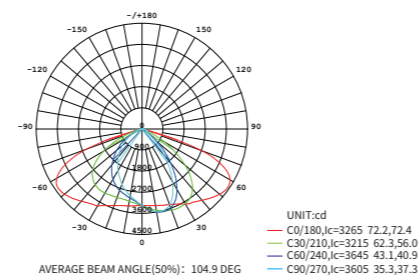
The latest patented light source technology, through the lens special structure of the surface light source to form the bat wing shape, to achieve the best uniform illumination, greatly improve the lighting effect.

## LIGHT DISTRIBUTION CURVE

### Street Light Intensity Test Report(60W Parameter)

DATA OF LAMP		PHOTOMETRIC DATA			
MODEL	KY-E-BGA-002	Imax (cd)	4419	$\eta$ street up (%)	0.3
NOMINAL POWER (W)	60	LOR (%)	100.0	$\eta$ street down (%)	51.6
RATED VOLTAGE (V)	48	TOTAL FLUX (lm)	9309	$\eta$ house up (%)	0.3
NOMINAL FLUX (lm)	9308.86	MAXIMUM @ (C, $\gamma$ )	0°, 56.0°	$\eta$ house down (%)	47.8
LAMPS INSIDE	1	$\eta$ up (%)	0.6	76 FLASHAREA (m <sup>2</sup> )	
TSET VOLTAGE (V)	46.48	$\eta$ down (%)	99.4	STL	

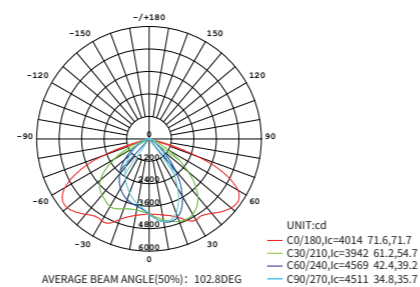
Meridian Light Distribution Curve(60W Parameter)



### Street Light Intensity Test Report(80W Parameter)

DATA OF LAMP		PHOTOMETRIC DATA			
MODEL	KY-E-BGA-003	Imax (cd)	5811	$\eta$ street up (%)	0.3
NOMINAL POWER (W)	80	LOR (%)	100.0	$\eta$ street down (%)	51.6
RATED VOLTAGE (V)	48	TOTAL FLUX (lm)	11485	$\eta$ house up (%)	0.3
NOMINAL FLUX (lm)	11485	MAXIMUM @ (C, $\gamma$ )	0°, 54.0°	$\eta$ house down (%)	47.8
LAMPS INSIDE	1	$\eta$ up (%)	0.6	76 FLASHAREA (m <sup>2</sup> )	
TSET VOLTAGE (V)	47.76	$\eta$ down (%)	99.4	STL	

Meridian Light Distribution Curve(80W Parameter)





**POLE STYLE SELECTION**

80W  
 Height: 10m  
 Application: secondary main street

60W  
 Height: 8m  
 Application: main street

40W  
 Height: 6m  
 Application: country road

